

HAMILTON

DRIVE

DRIVEWAY

LANDS OF SOILAND & WITSCH

Lot 38

House & Office

16

17

Existing Garage (To be removed by contractor)

2-7' Gates w/ rustic stakes

New Telephone Pole

Rustic Stake Cyclone Fence

Property Line

Fluoridic TK. Enclosure

Property Line

AC Pavement

TP (To be removed)

Water Quality Control Plant

TANK LOCATION

84'-0"

Pump House

Existing House (To be removed after completion of contract by contractor)

Cyclone fence (no stakes)

ARROYO SAN JOSE

Cyclone fence (no stakes)

For paving revision see Dwg. No. D13-2-3

1" Plastic (Water)

Cyclone fence (no stakes) (To be located one foot inside property line)

2-7' Gates w/ rustic stakes

Existing MMWD R/W

60' Easement

18

19

Property Line

PLAN Scale: 1" = 20'

19

18

▲	As Installed	DAC			4/20/77		
▲	Additional conc. curb	DJE	DJE	BJD	2/16/76		
▲	Revised loc. of surge tanks	DJE	DJE	BJD	1/13/76		
No.	REVISIONS			DRAWN	CHECKED	APPROVED	DATE

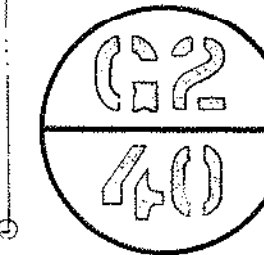
MARIN MUNICIPAL WATER DISTRICT
CORTE MADERA, CALIFORNIA

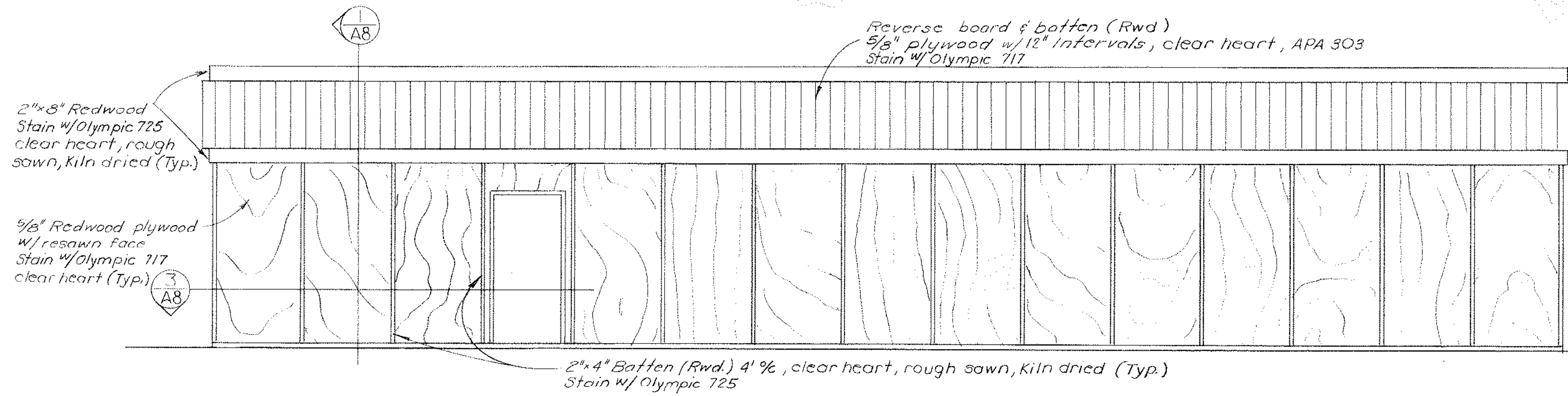
NORTH MARIN INTERTIE
IGNACIO PUMP STATION

SITE PLAN

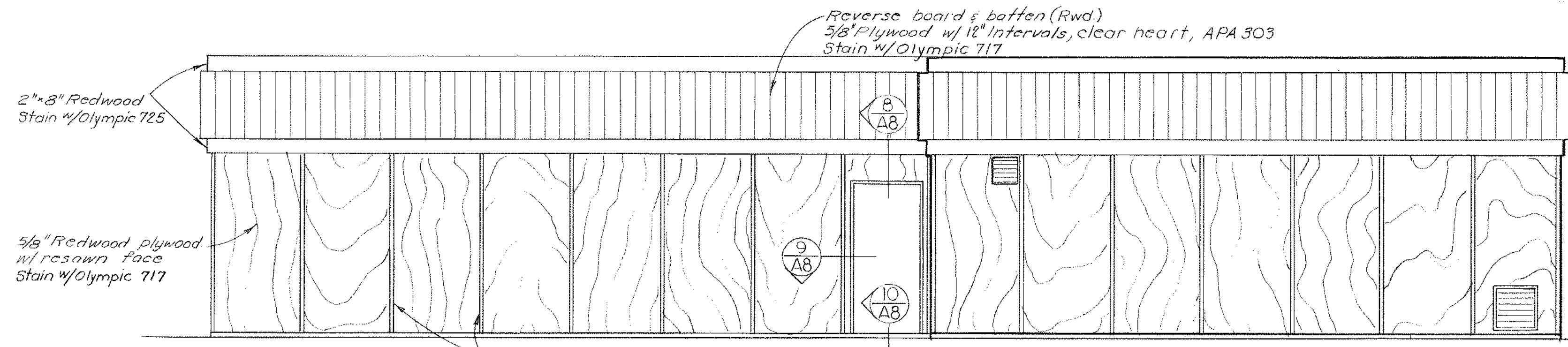
DRAWN DAC	SCALE As Noted	DATE Oct. 1975
JOB NO. 70 BG	DWG. NO. D13-1-2	SHEET 1 OF 1
CHECKED DJE AJB	REVWD. ENG. WJ	CONST. OPR. JTF
FILED		MAP NO. I 18

GENERAL MANAGER

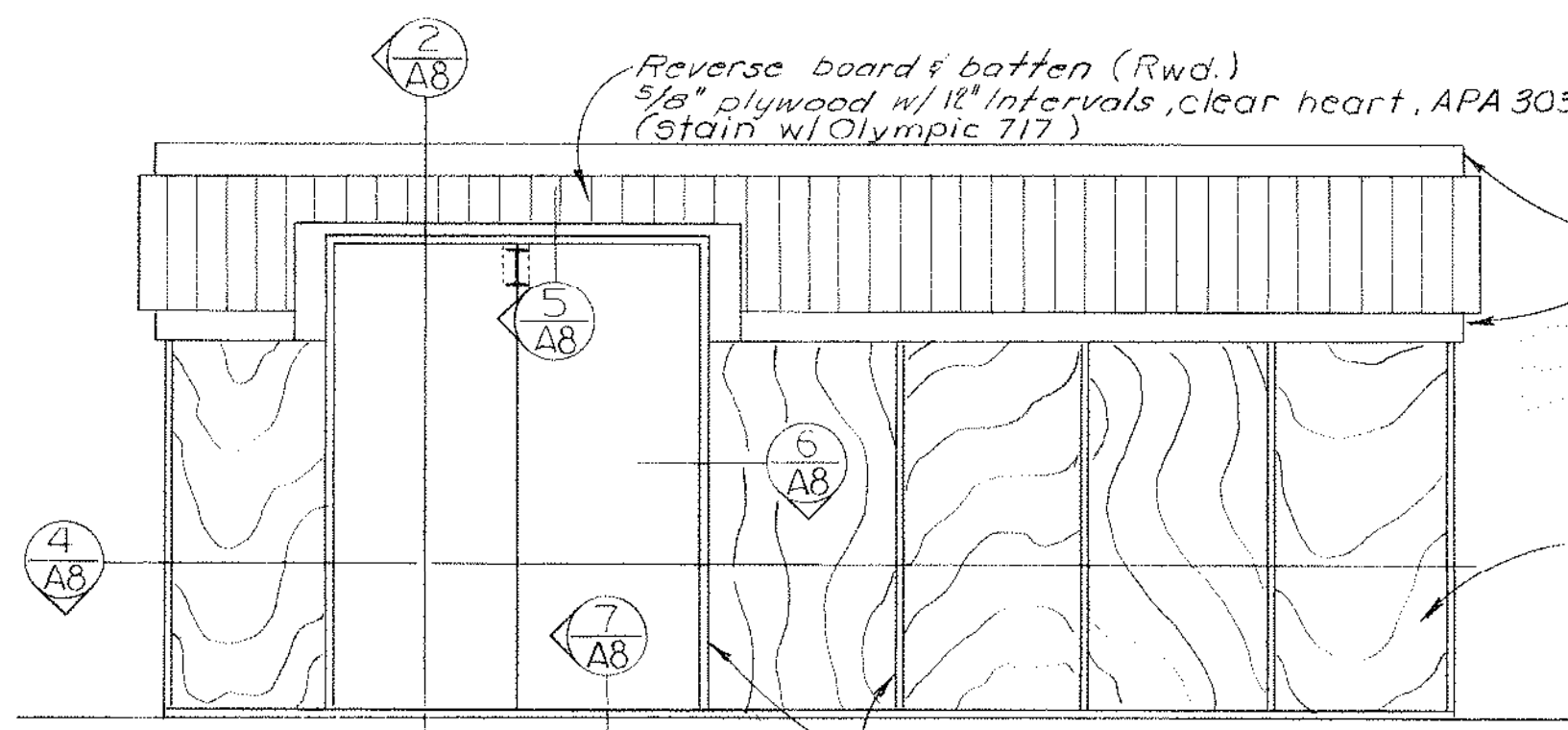




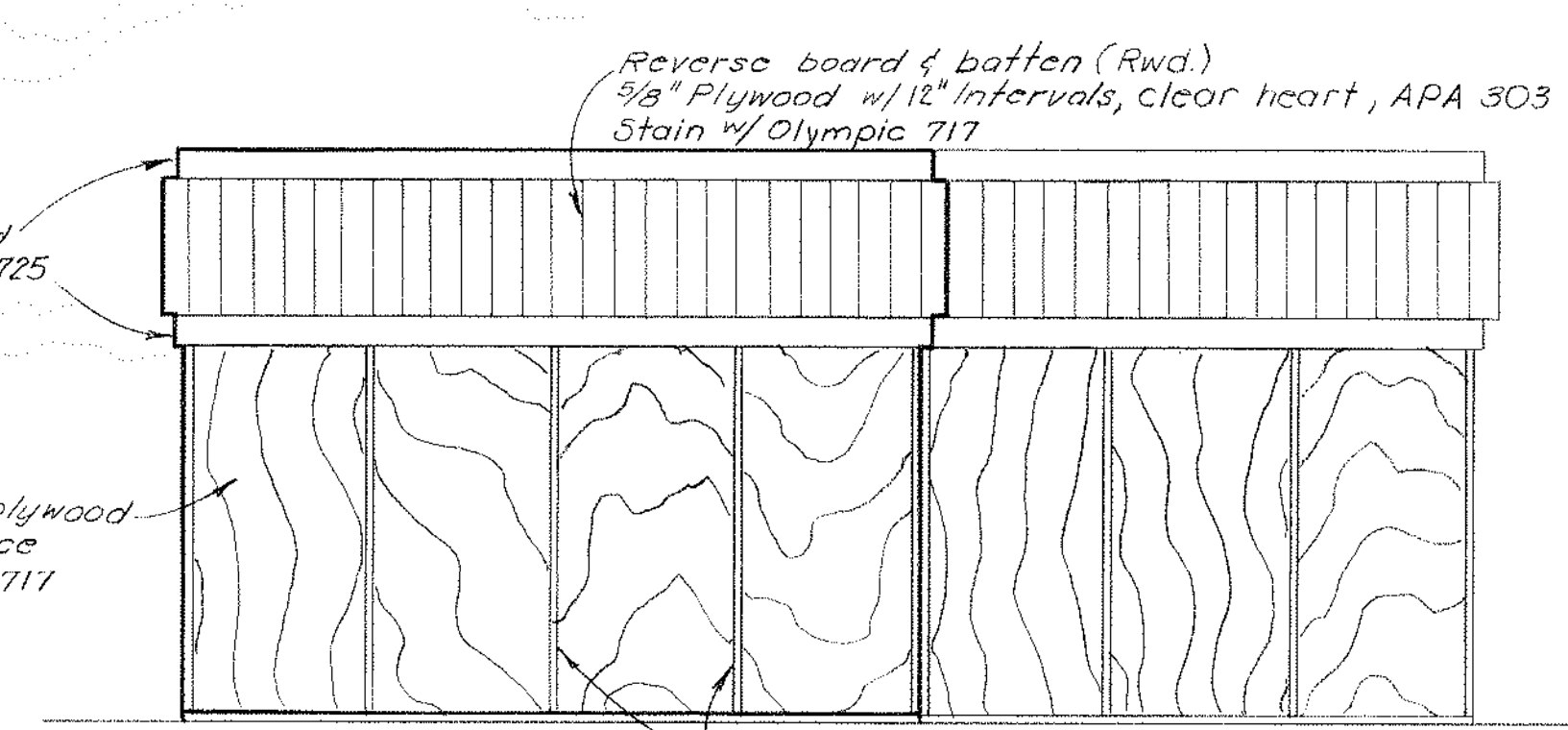
WEST ELEVATION
Scale 1/4"=1'-0"



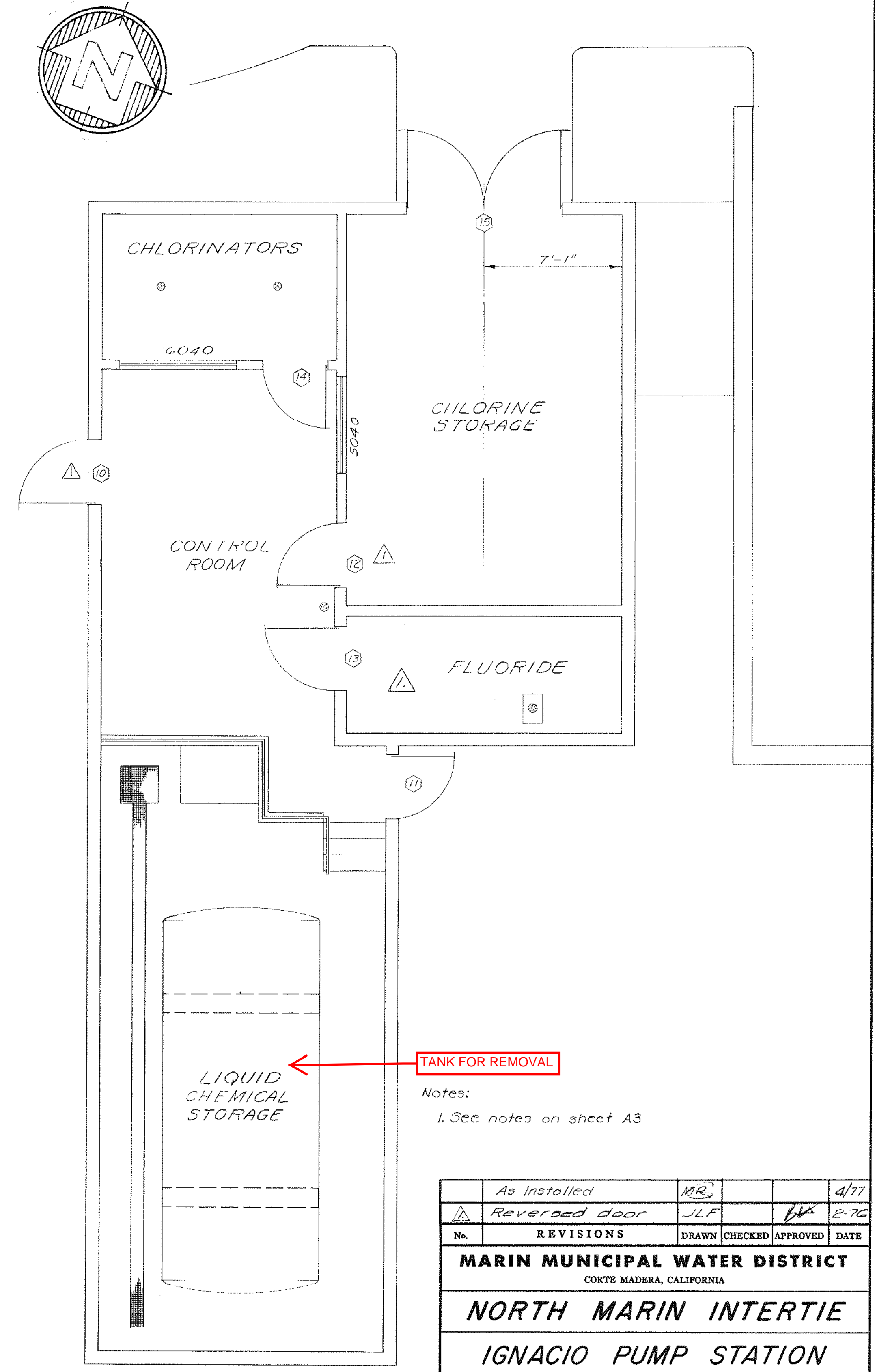
EAST ELEVATION
Scale 1/4"=1'-0"



NORTH ELEVATION
Scale 1/4"=1'-0"



SOUTH ELEVATION
Scale 1/4"=1'-0"



FLOOR PLAN
Scale 1/4"=1'-0"

Notes:
1. See notes on sheet A3

No.	REVISIONS	DRAWN	CHECKED	APPROVED	DATE
1	As Installed	MRB			4/77
2	Reversed door	JLF			2-76

MARIN MUNICIPAL WATER DISTRICT
CORTE MADERA, CALIFORNIA

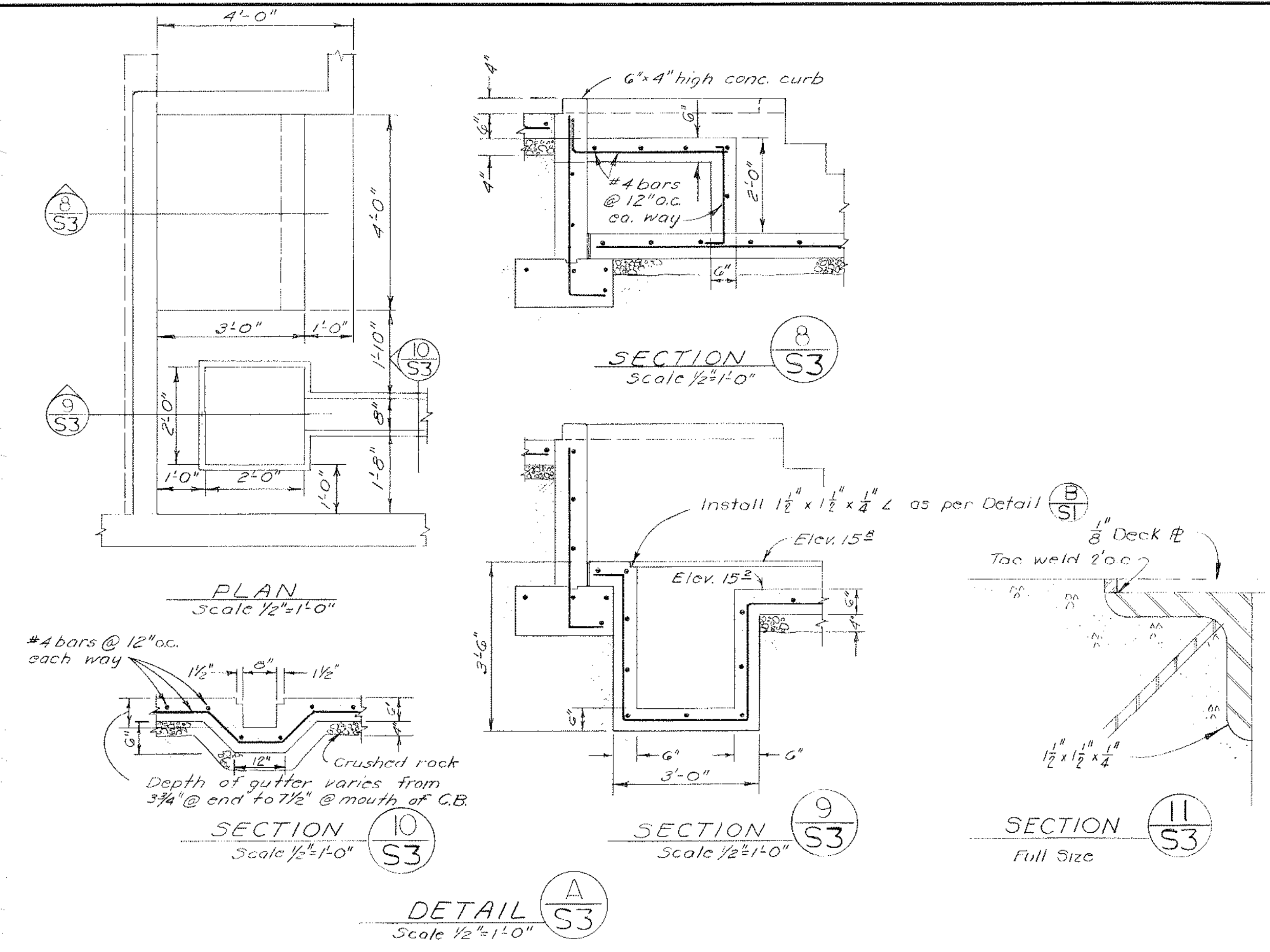
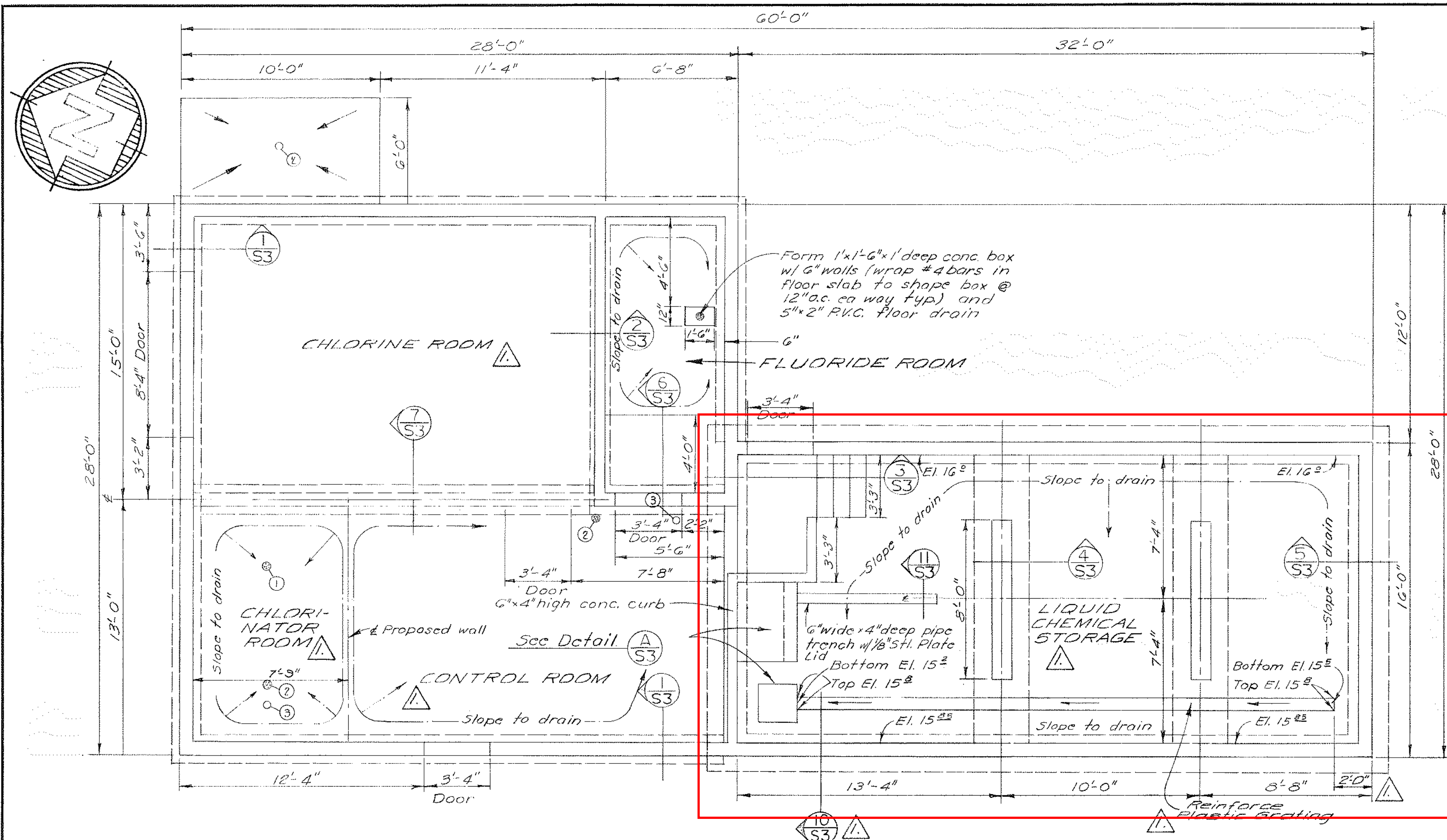
NORTH MARIN INTERTIE

IGNACIO PUMP STATION
WATER QUALITY
CONTROL PLANT

ELEVATIONS & FLOOR PLAN

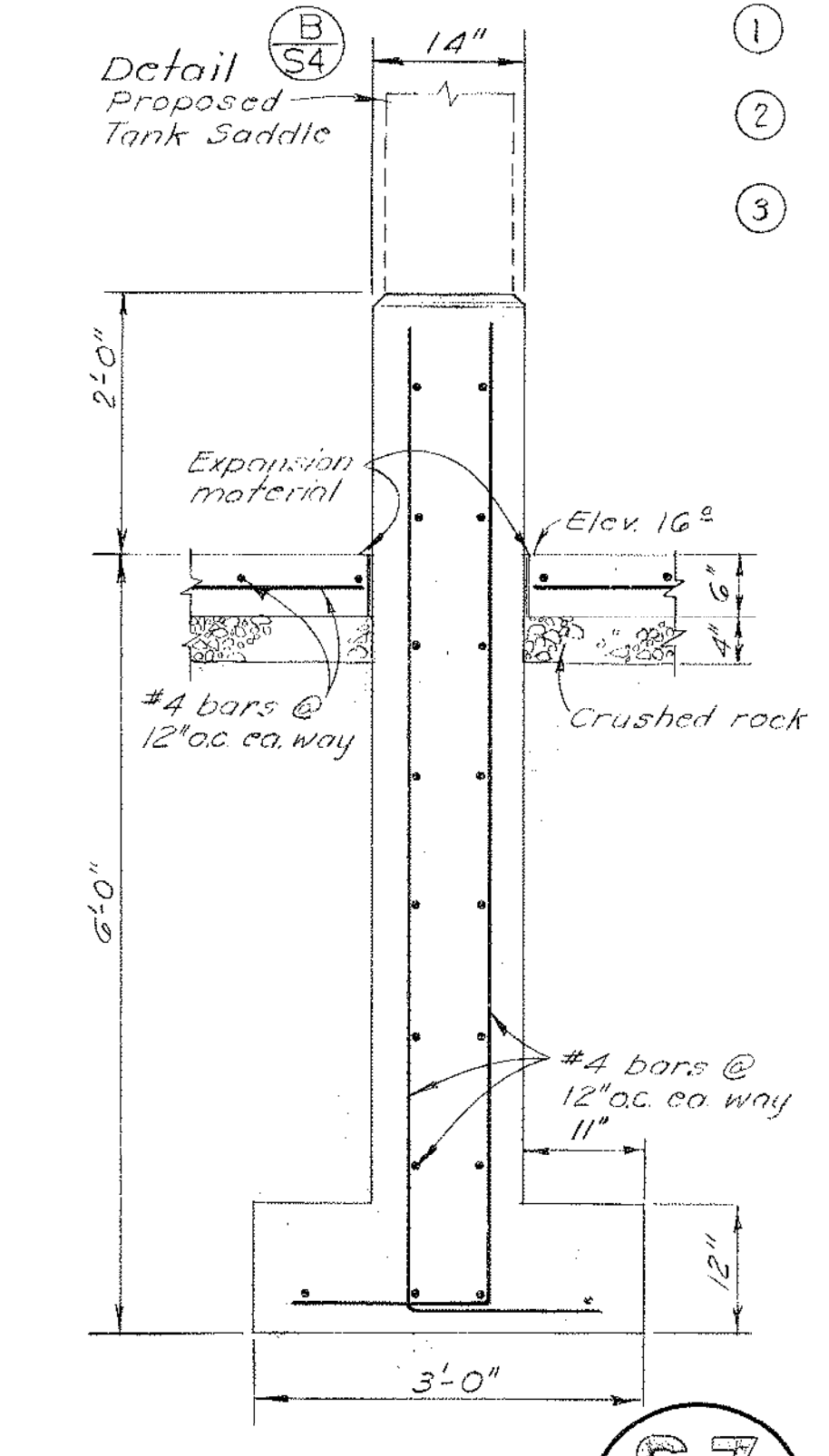
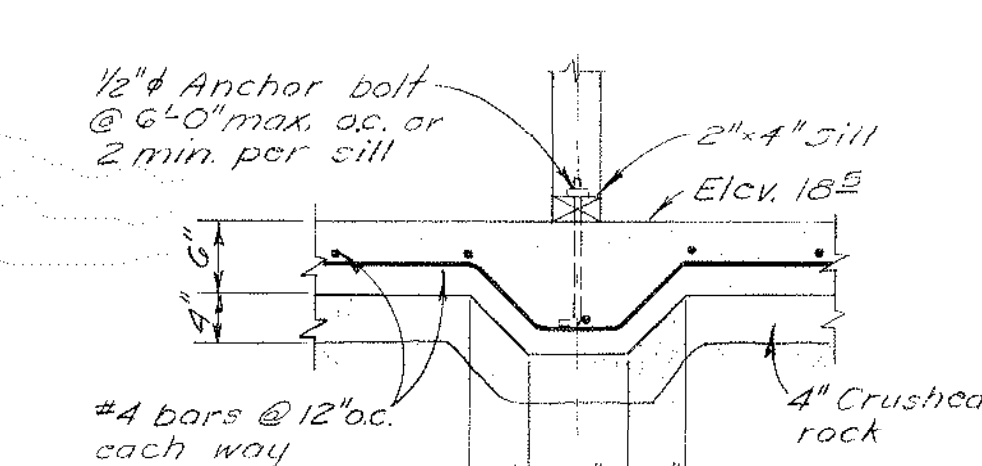
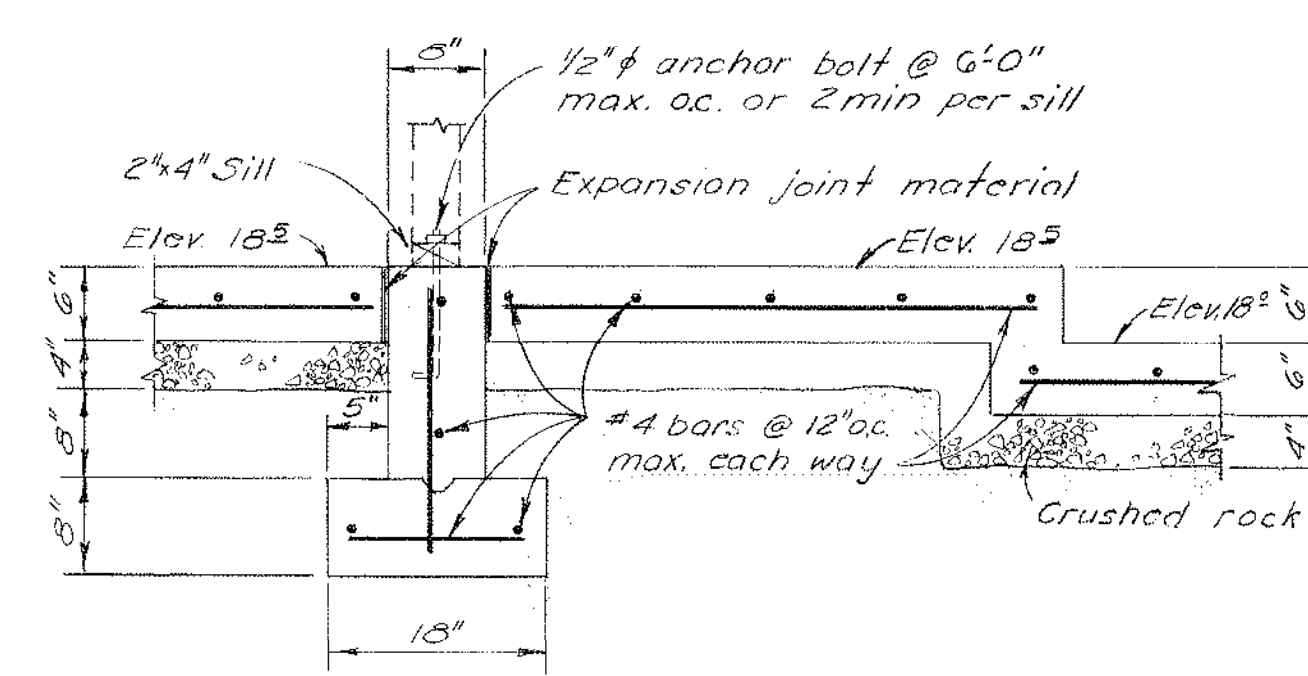
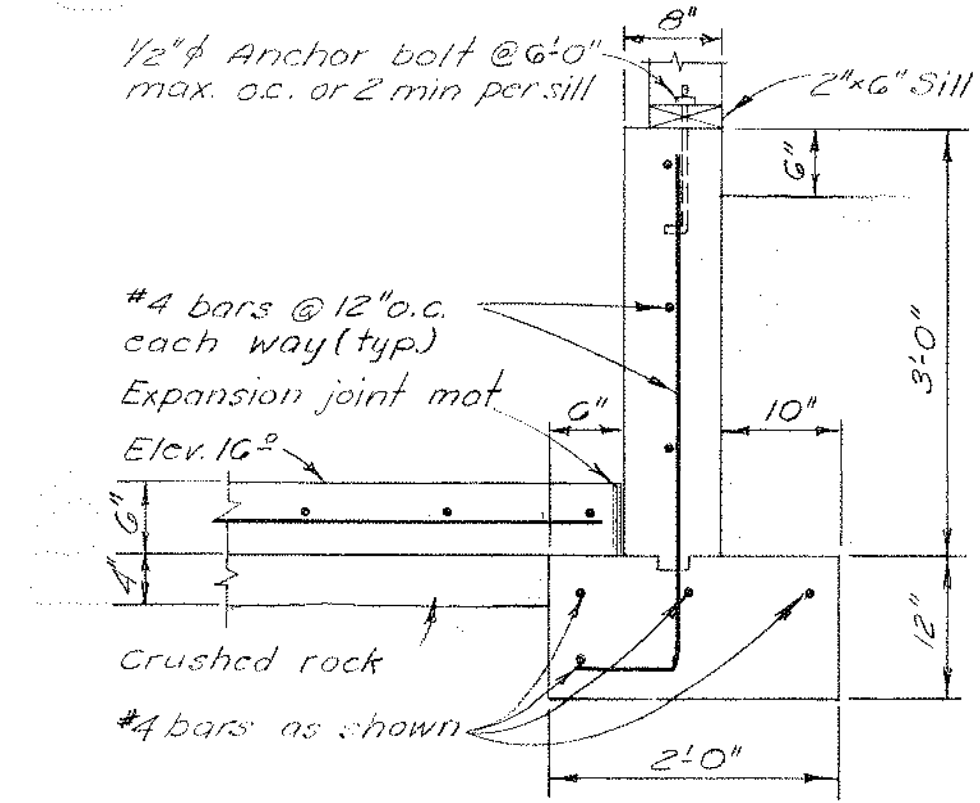
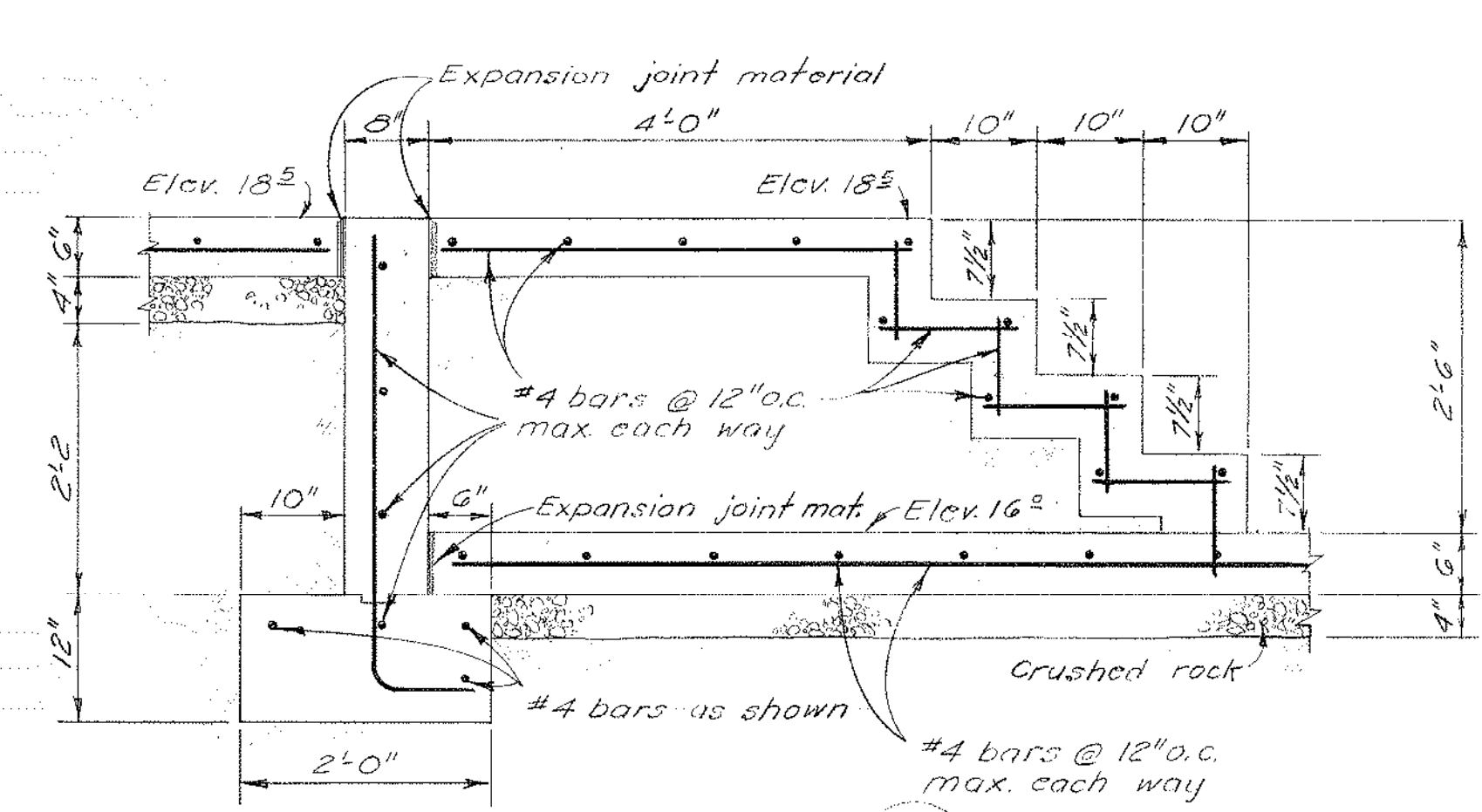
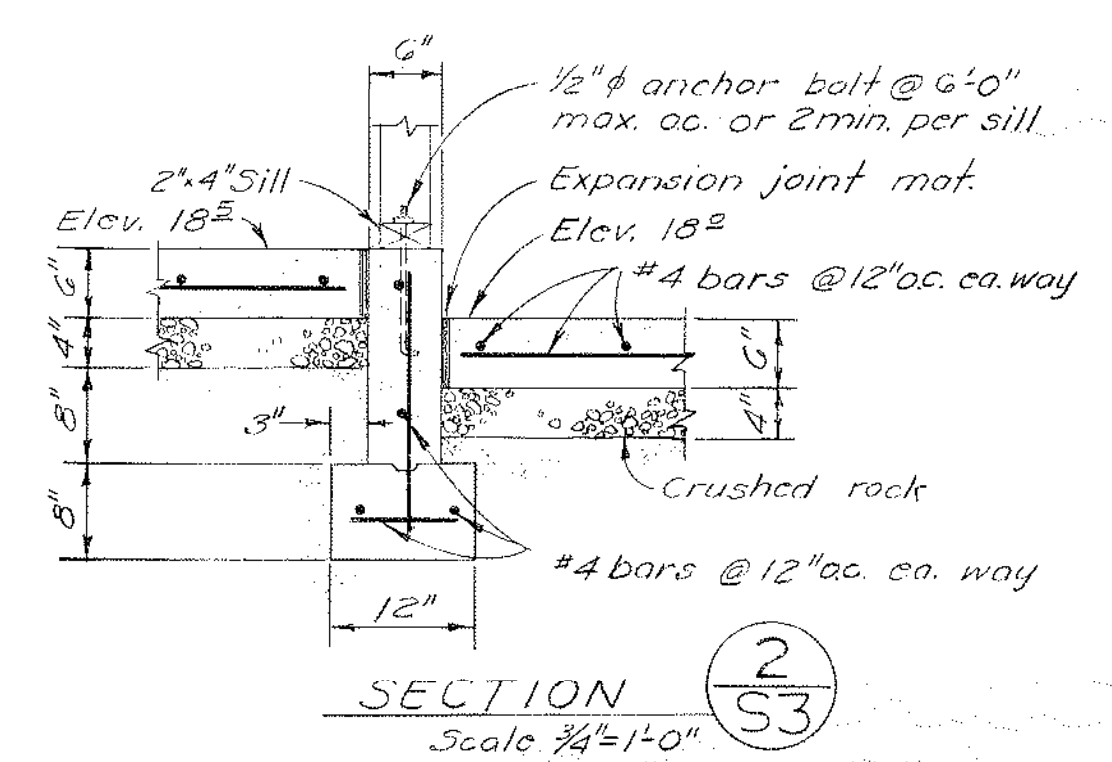
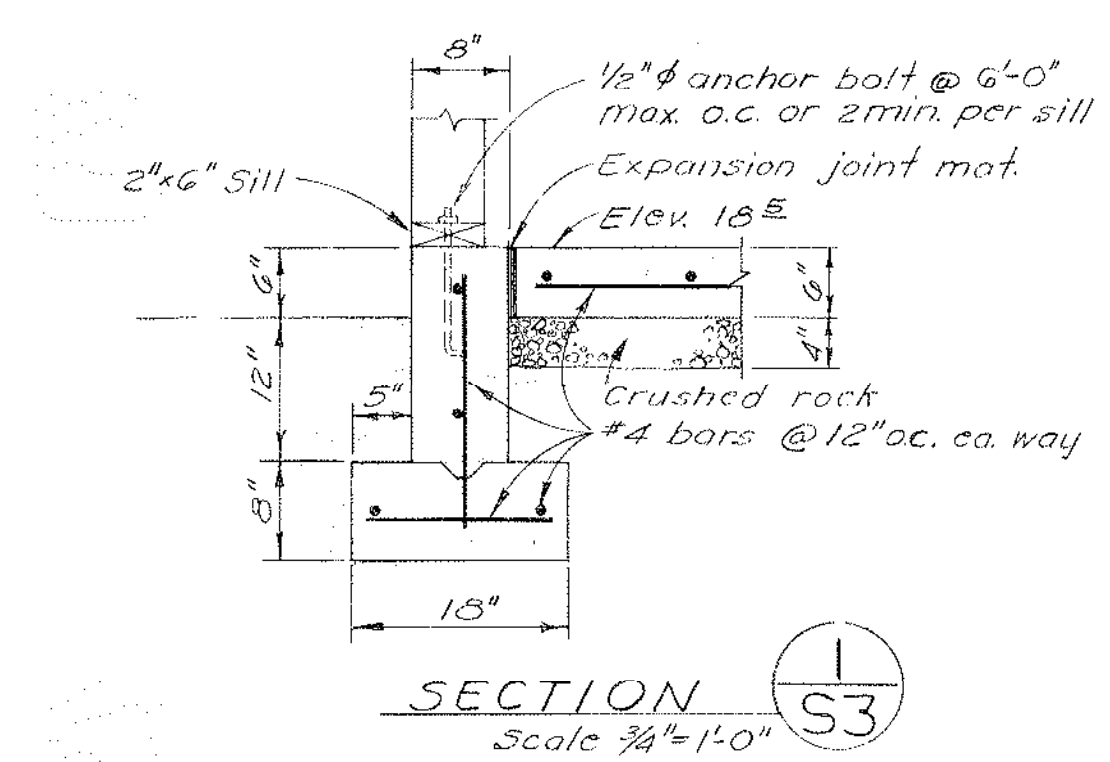
DRAWN	JJS	SCALE	As Indicated	DATE	Oct 1975
JOB NO.	70BG	DWG. NO.	D13-3-G	SHEET	1 OF 1
CHECKED	DJE (P) CB	REVW'D. ENG.	BY	CONST.	OPR. JTF
FILED					
GENERAL MANAGER					MAP NO.

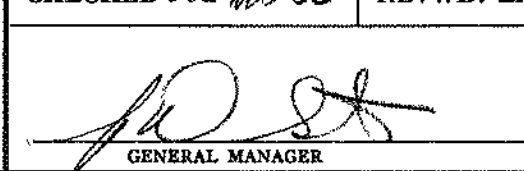


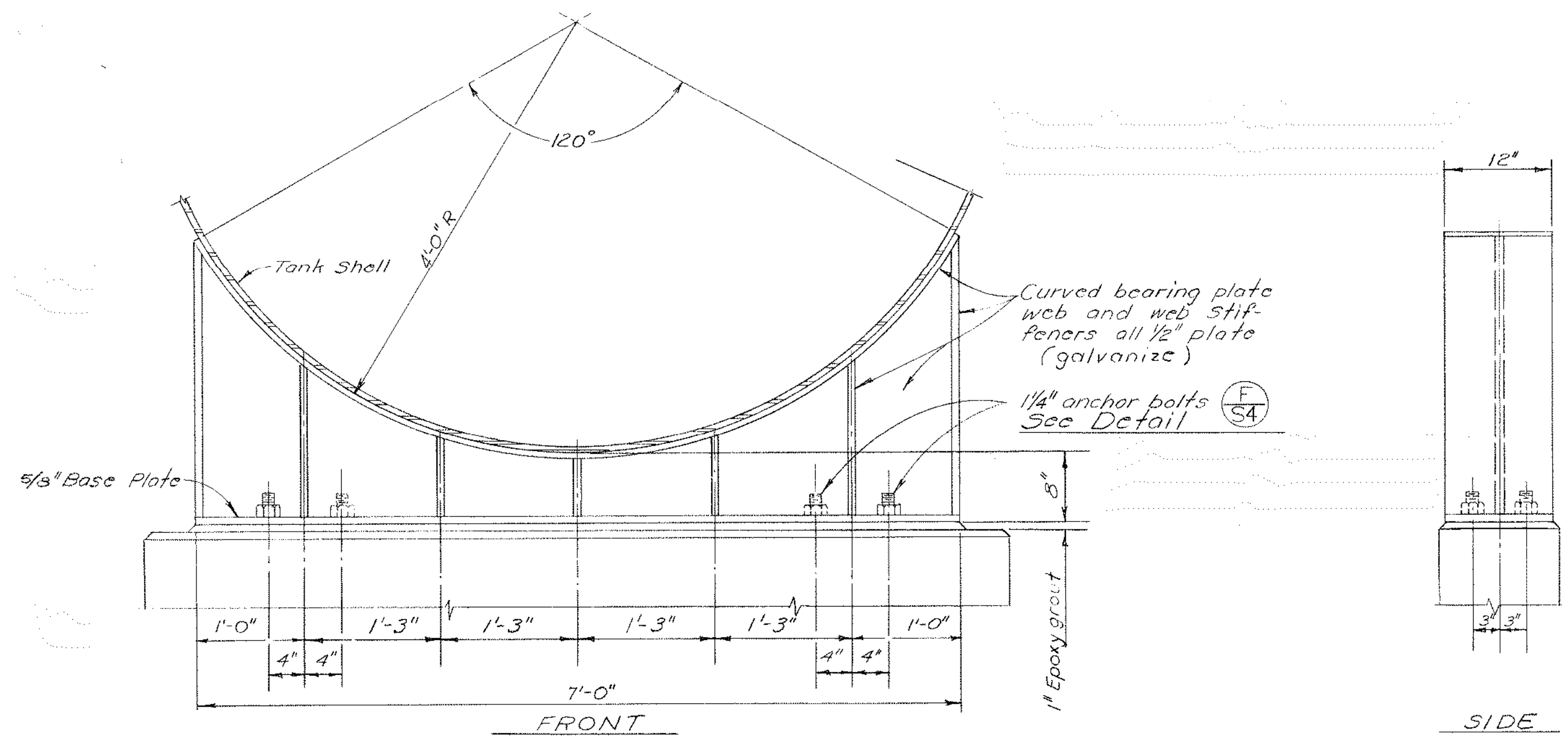


FLOOR DRAIN SCHEDULE

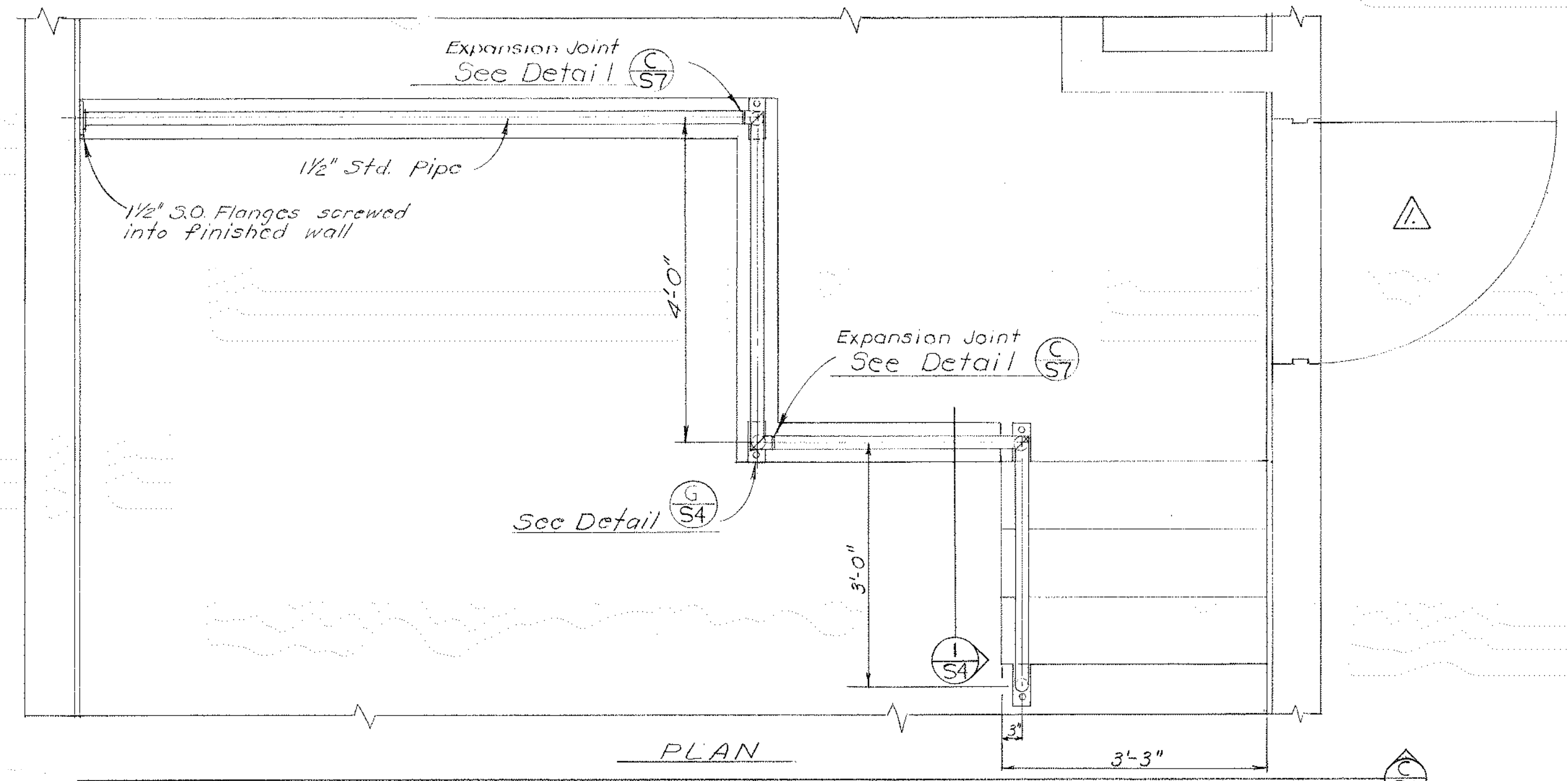
- 1 Floor drain 2" Josan # 3510 w/pee trap BV # 1000
- 2 Floor drain 4" Josan # 3620 w/ backwater valve # 1000
- 3 Cleanout Josan # 8490



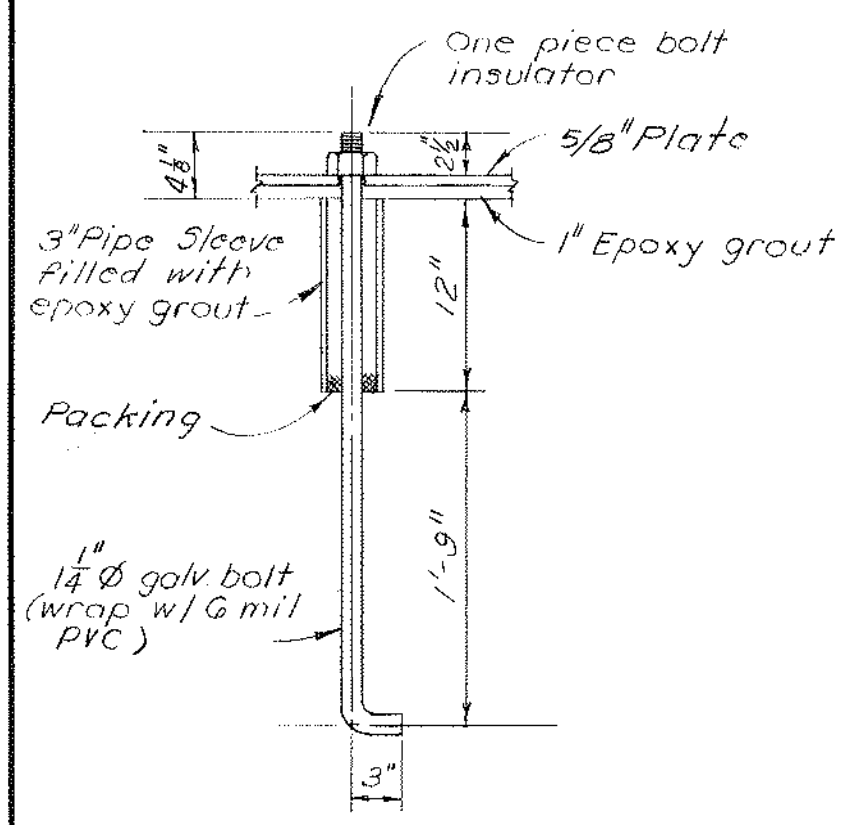
As Installed	MB		4/71
Added various labeling	JLF		BV 2-76
REVISIONS			
No.	REVISIONS	DRAWN	CHECKED
MARIN MUNICIPAL WATER DISTRICT CORTE MADERA, CALIFORNIA			
NORTH MARIN INTERTIE			
IGNACIO PUMP STATION			
WATER QUALITY			
CONTROL PLANT			
FOUNDATION PLAN & DETAILS			
DRAWN J.J.S	SCALE As Indicated	DATE Oct. 1975	
JOB NO. 10BG	DWG. NO. D13-4-3	SHEET 1 OF 2	
CHECKED DUE W/ CB	REVWD. ENG. B.P.	CONST. J.T.F.	OPR. J.T.F.
 GENERAL MANAGER			FILED
			MAP NO.



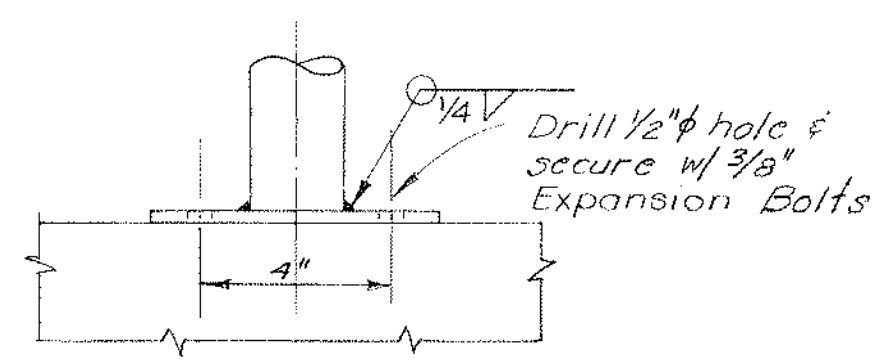
TANK SADDLE ELEV
Scale 1"=1'-0"
B
S4



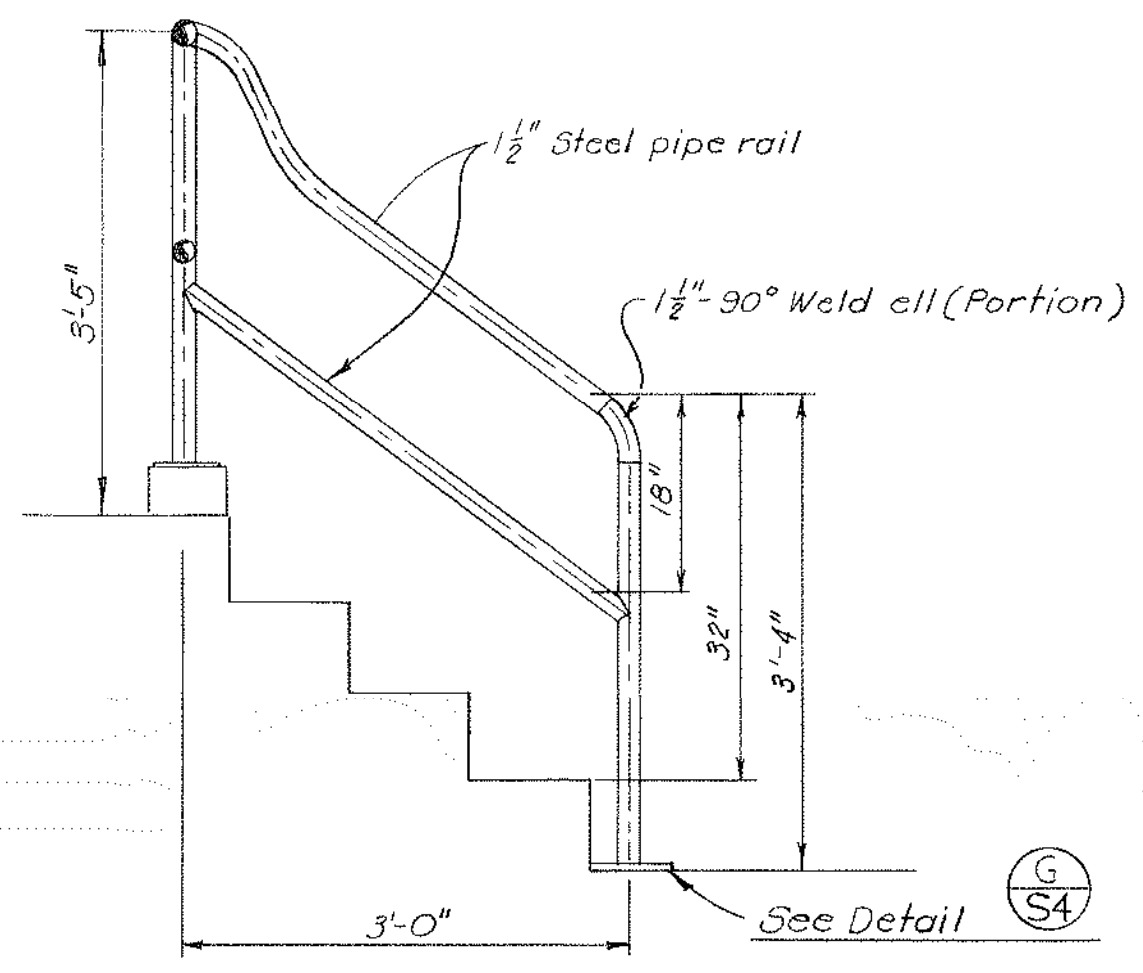
PLAN
C
S4



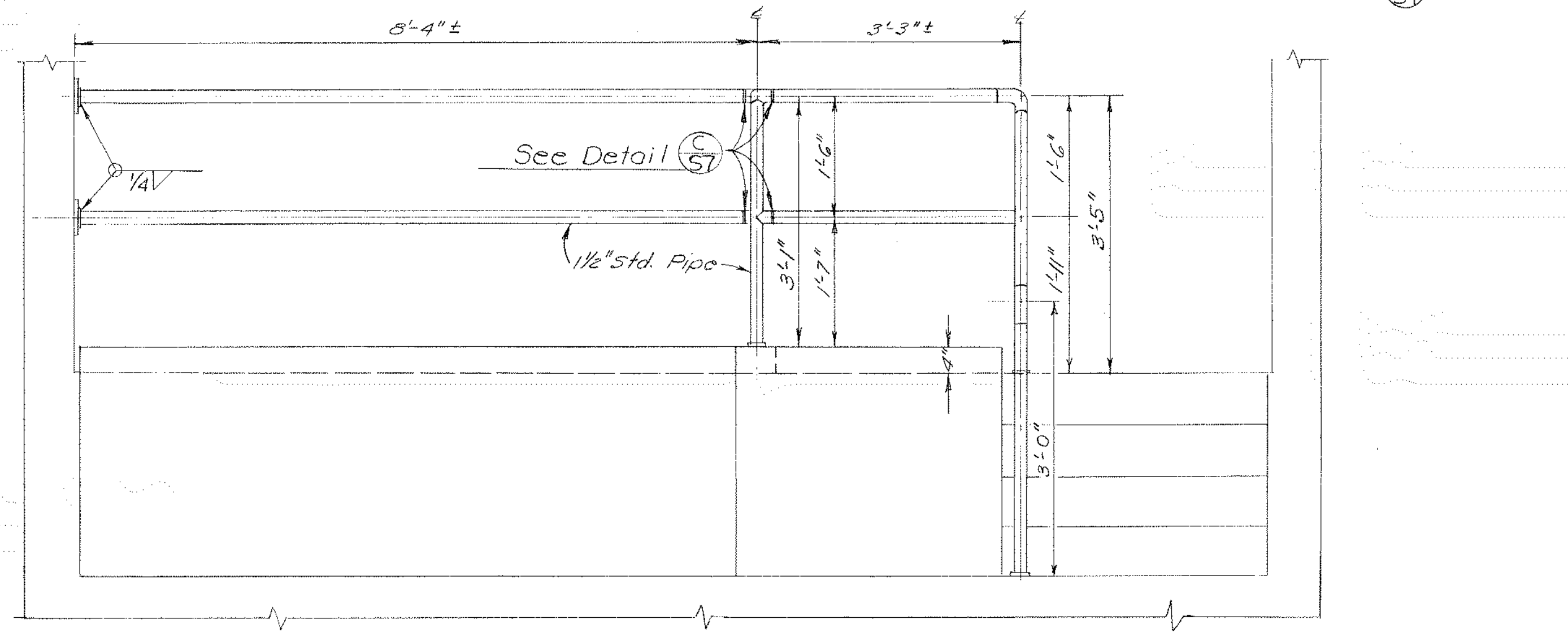
DETAIL F
Scale 1/2"=1'-0"
F
S4



DETAIL G
Scale 1/2"=1'-0"
G
S4



SIDE VIEW I
Scale 3/4"=1'-0"
I
S4



PROFILE
STEEL RAILING DETAIL C
Scale 3/4"=1'-0"
C
S4

As installed	REB		4/77
Reversed door	JLF	BA	2-76
REVISIONS		DRAWN	CHECKED
		APPROVED	DATE

MARIN MUNICIPAL WATER DISTRICT
CORTE MADERA, CALIFORNIA

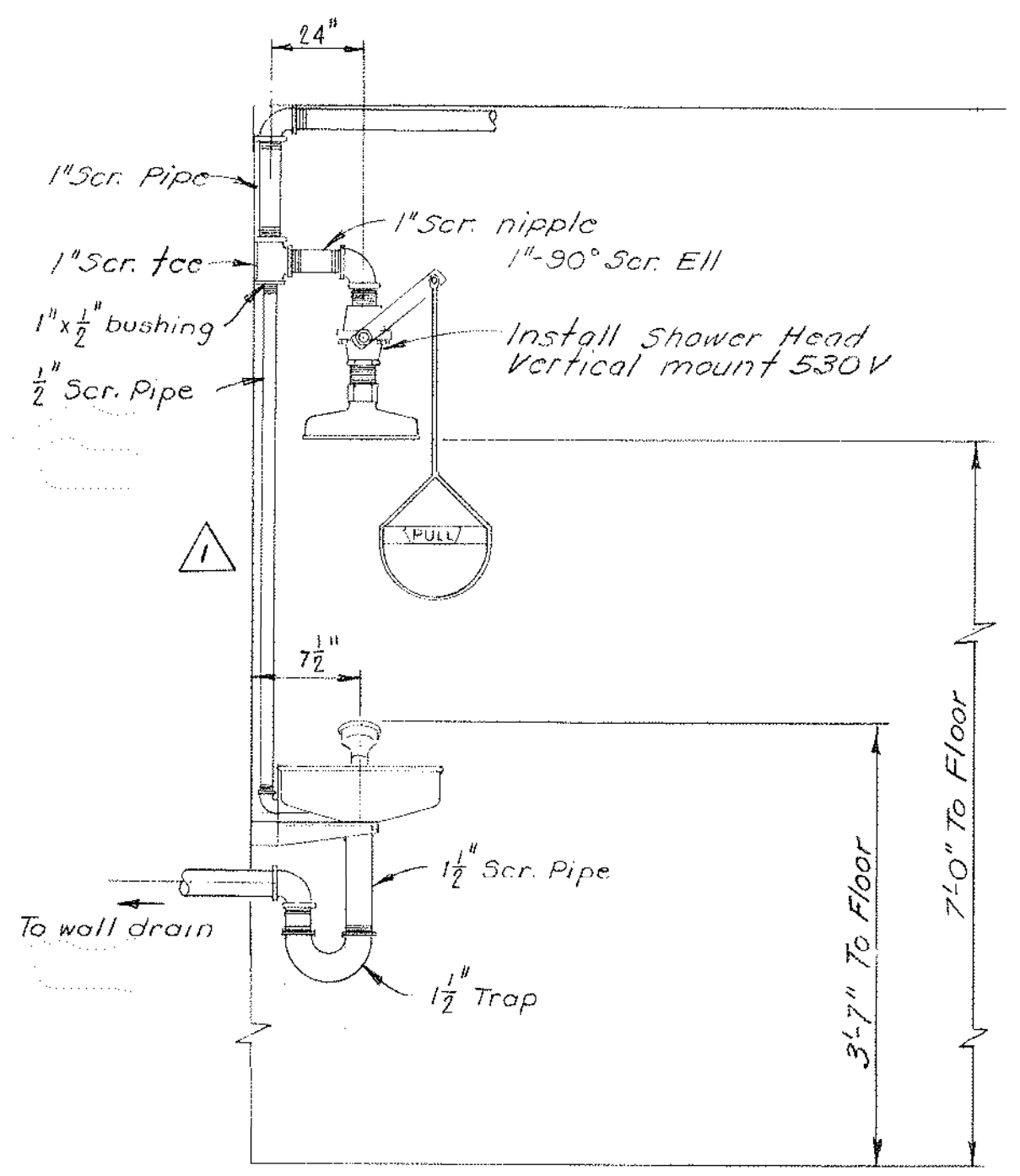
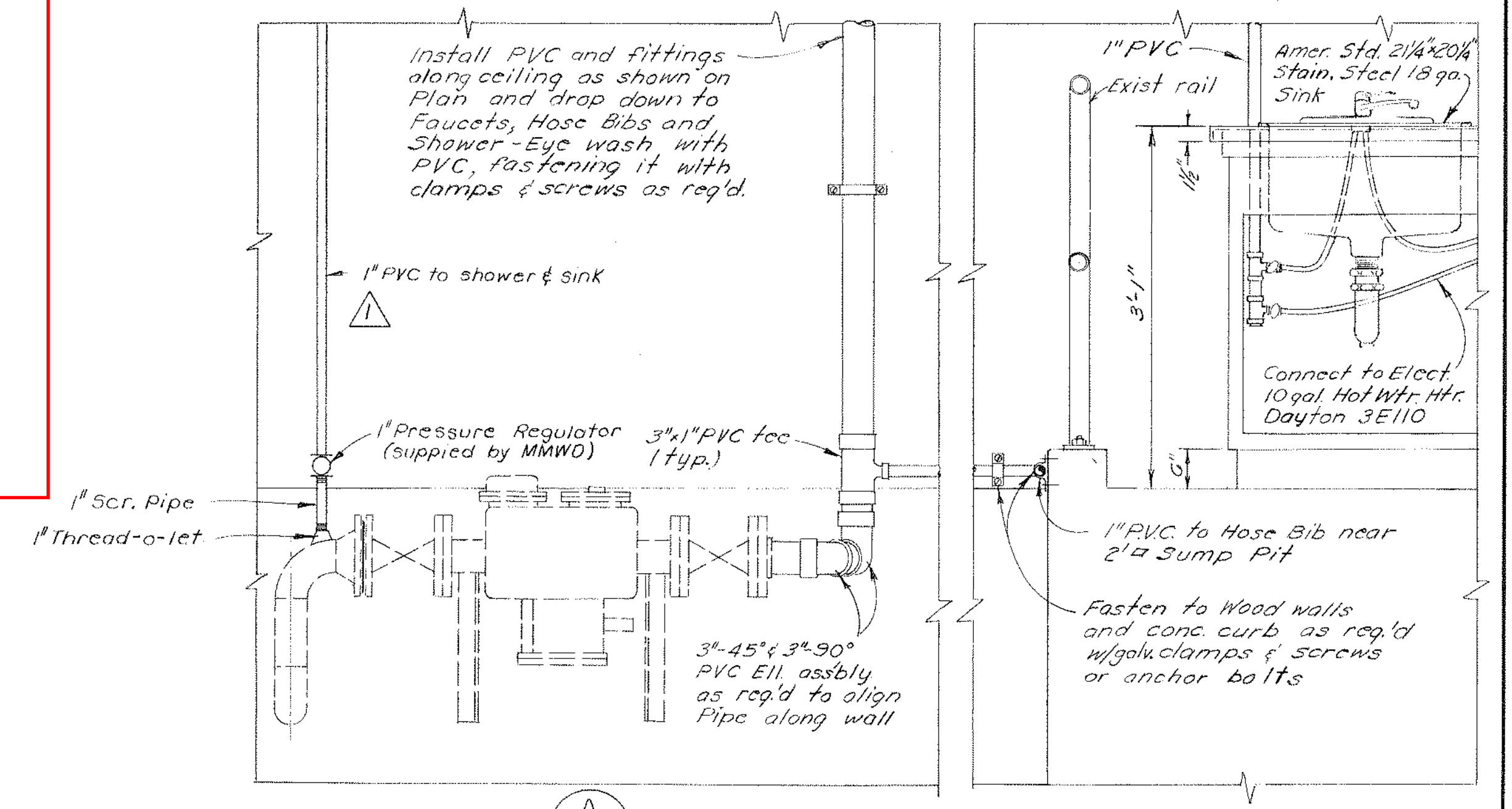
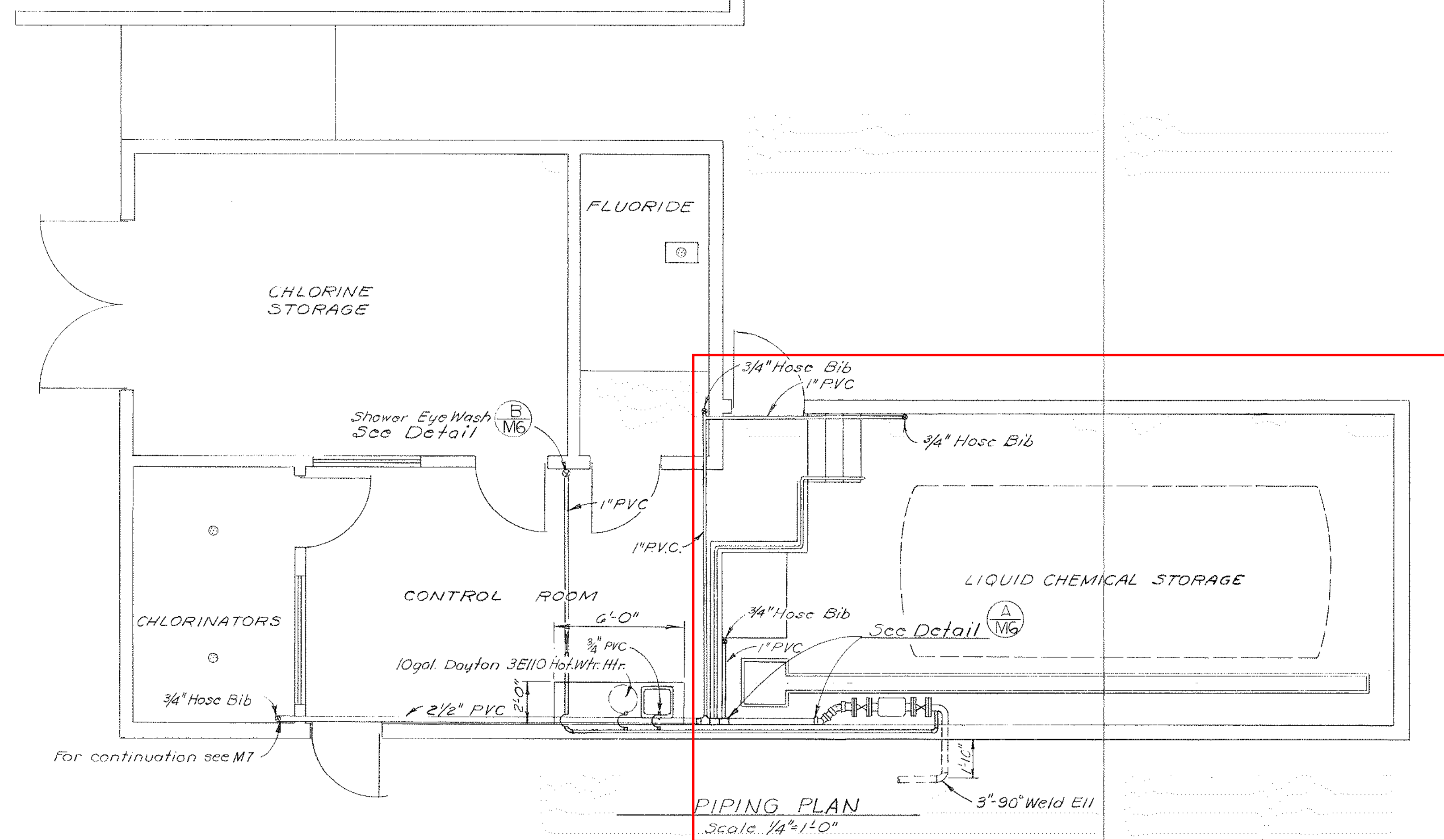
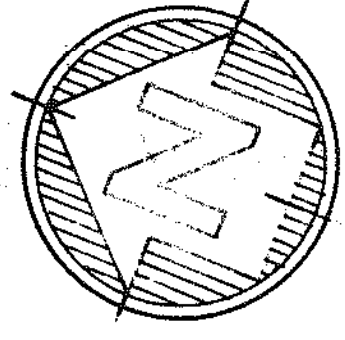
NORTH MARIN INTERTIE

**IGNACIO PUMP STATION
WATER QUALITY
CONTROL PLANT**

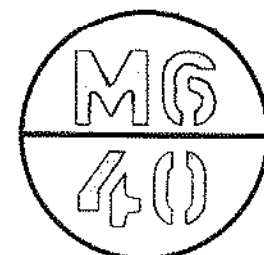
TANK SADDLE & RAILING DETAILS

DRAWN JJS	SCALE As Indicated	DATE Nov. 1975
JOB NO. 70BG	DWG. NO. D13-4-4	SHEET 2 OF 2
CHECKED DJE & CB	REVWD. ENG. BJB	CONST. SJA
	OPR. JTF	
FILED		
GENERAL MANAGER		MAP NO.

S4
40

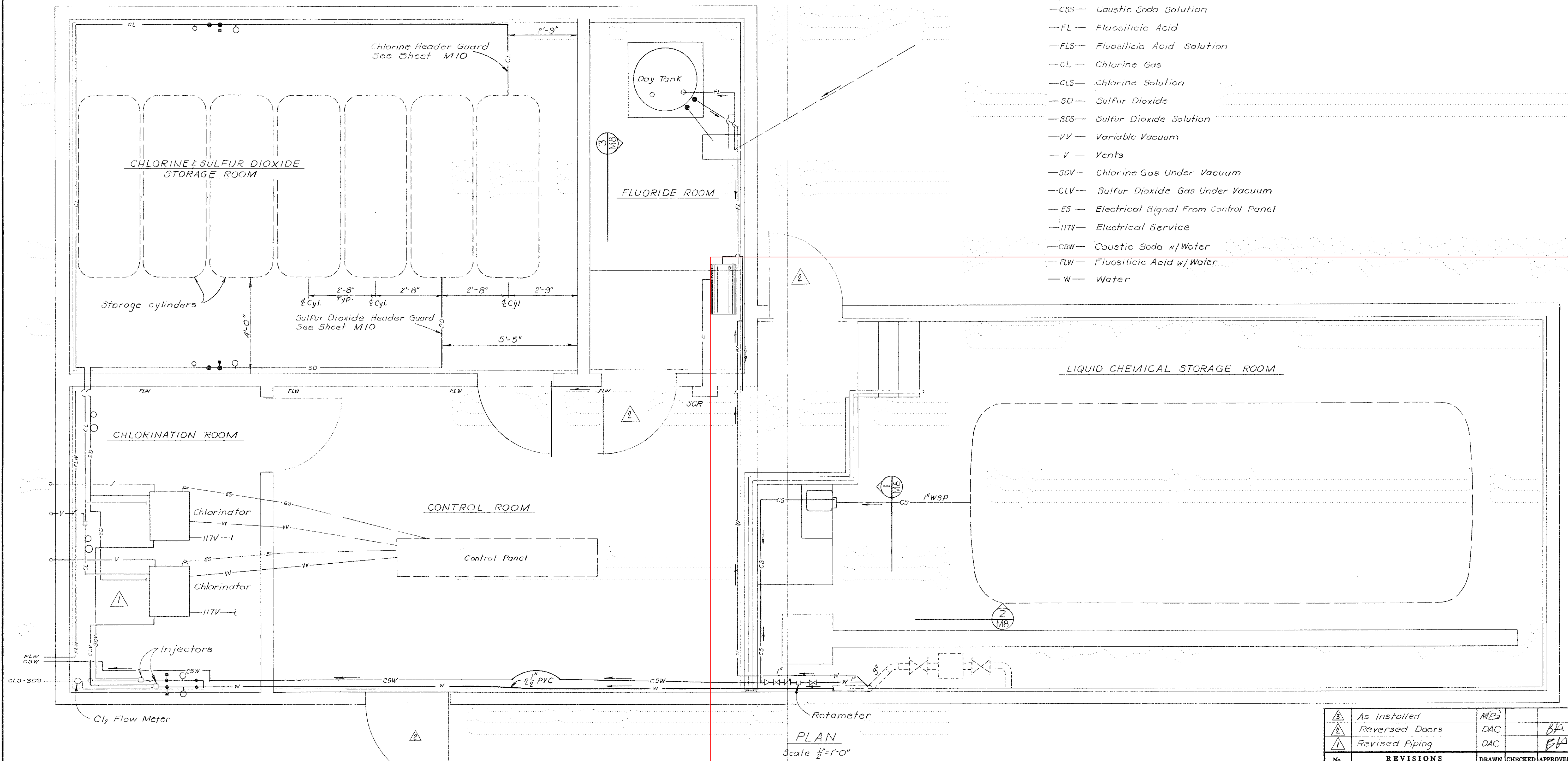


As Installed	MB		4/77
Revised Piping	DAC		2/76
REVISIONS			
No.	REVISIONS	DRAWN	CHECKED
MARIN MUNICIPAL WATER DISTRICT CORTE MADERA, CALIFORNIA			
NORTH MARIN INTERTIE			
IGNACIO PUMP STATION WATER QUALITY CONTROL PLANT INTERIOR WATER PIPING			
DRAWN J.J.S.	SCALE As Indicated	DATE Oct. 1975	
JOB NO. 70BG	DWG. NO. D13-5-G	SHEET 1 OF 1	
CHECKED D.J.E. / J.C.B.	REVWD. ENG. B.P.	CONST.	OPR. J.T.F.
GENERAL MANAGER			FILED
			MAP NO.



LEGEND

- CS- Caustic Soda
- CSS- Caustic Soda Solution
- FL- Fluosilicic Acid
- FLS- Fluosilicic Acid Solution
- CL- Chlorine Gas
- CLS- Chlorine Solution
- SD- Sulfur Dioxide
- SDS- Sulfur Dioxide Solution
- VV- Variable Vacuum
- V- Vents
- SDV- Chlorine Gas Under Vacuum
- CLV- Sulfur Dioxide Gas Under Vacuum
- ES- Electrical Signal From Control Panel
- 117V- Electrical Service
- CSW- Caustic Soda w/Water
- FLW- Fluosilicic Acid w/Water
- W- Water



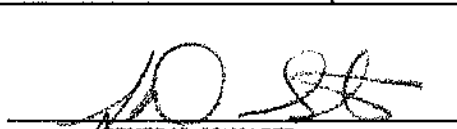
PLAN
Scale 1/2" = 1'-0"

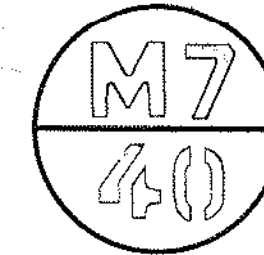
△	As Installed	MEB		4/77	
△	Reversed Doors	DAC		BA 2/76	
△	Revised Piping	DAC		EA 2/76	
No.	REVISIONS	DRAWN	CHECKED	APPROVED	DATE

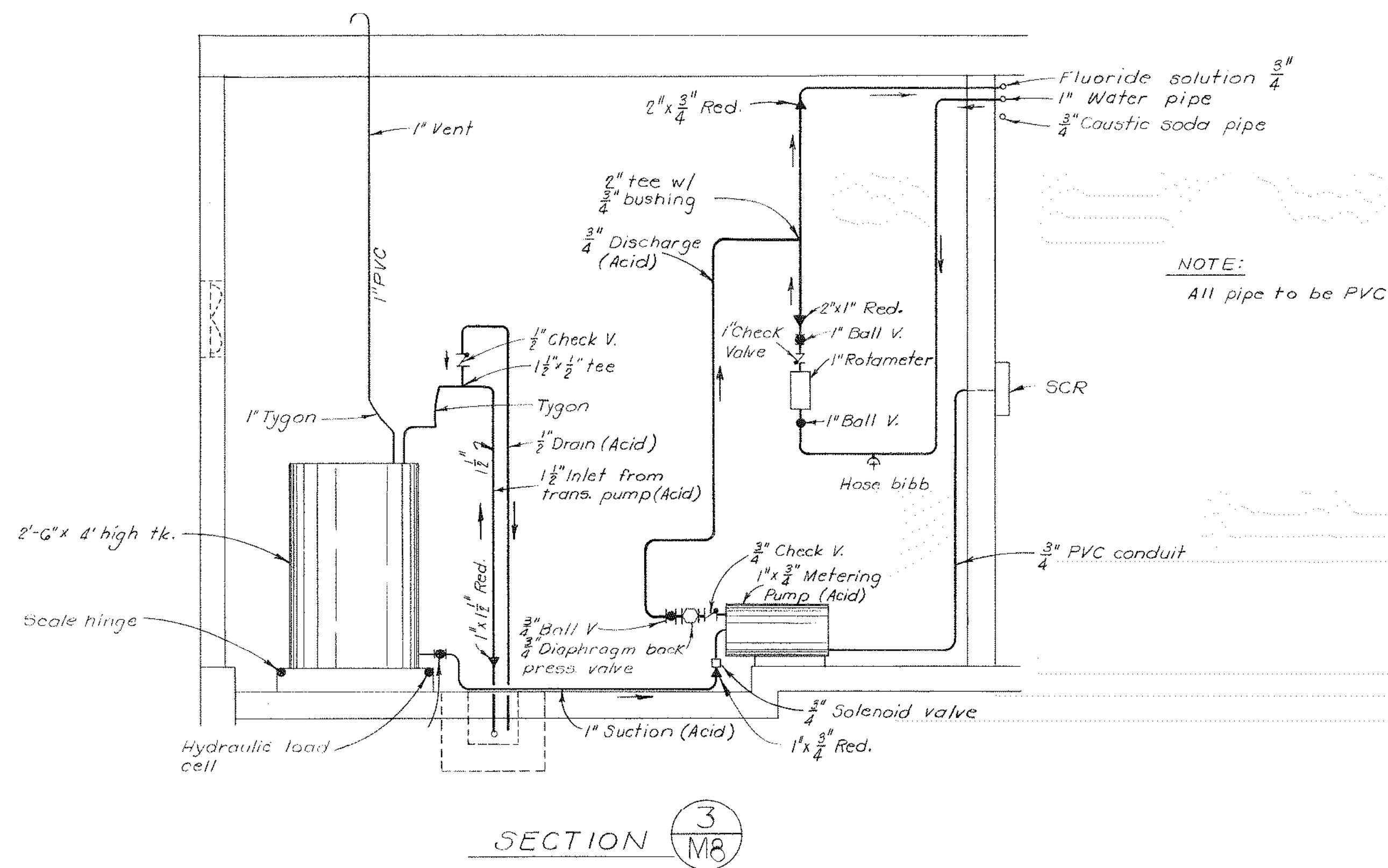
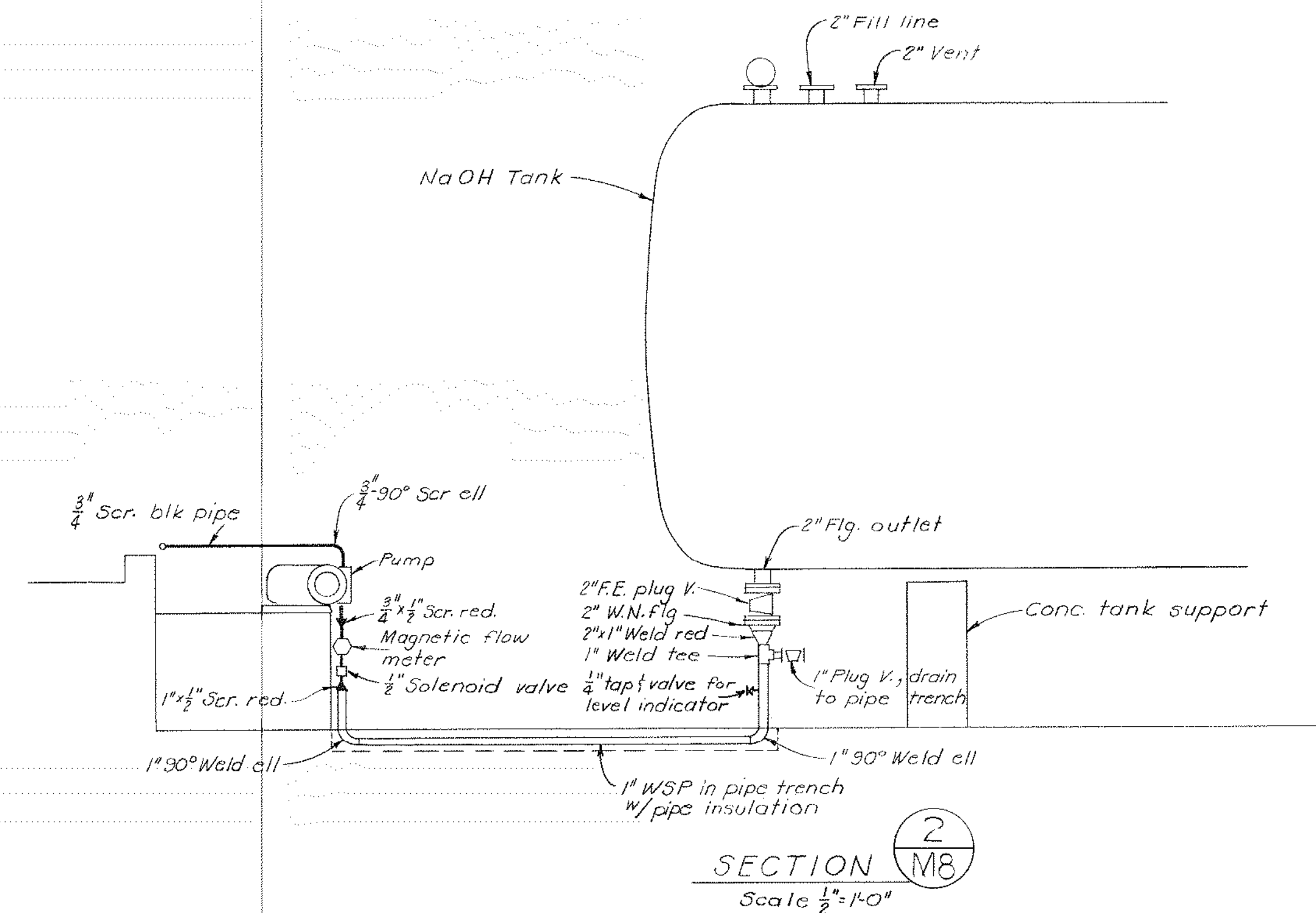
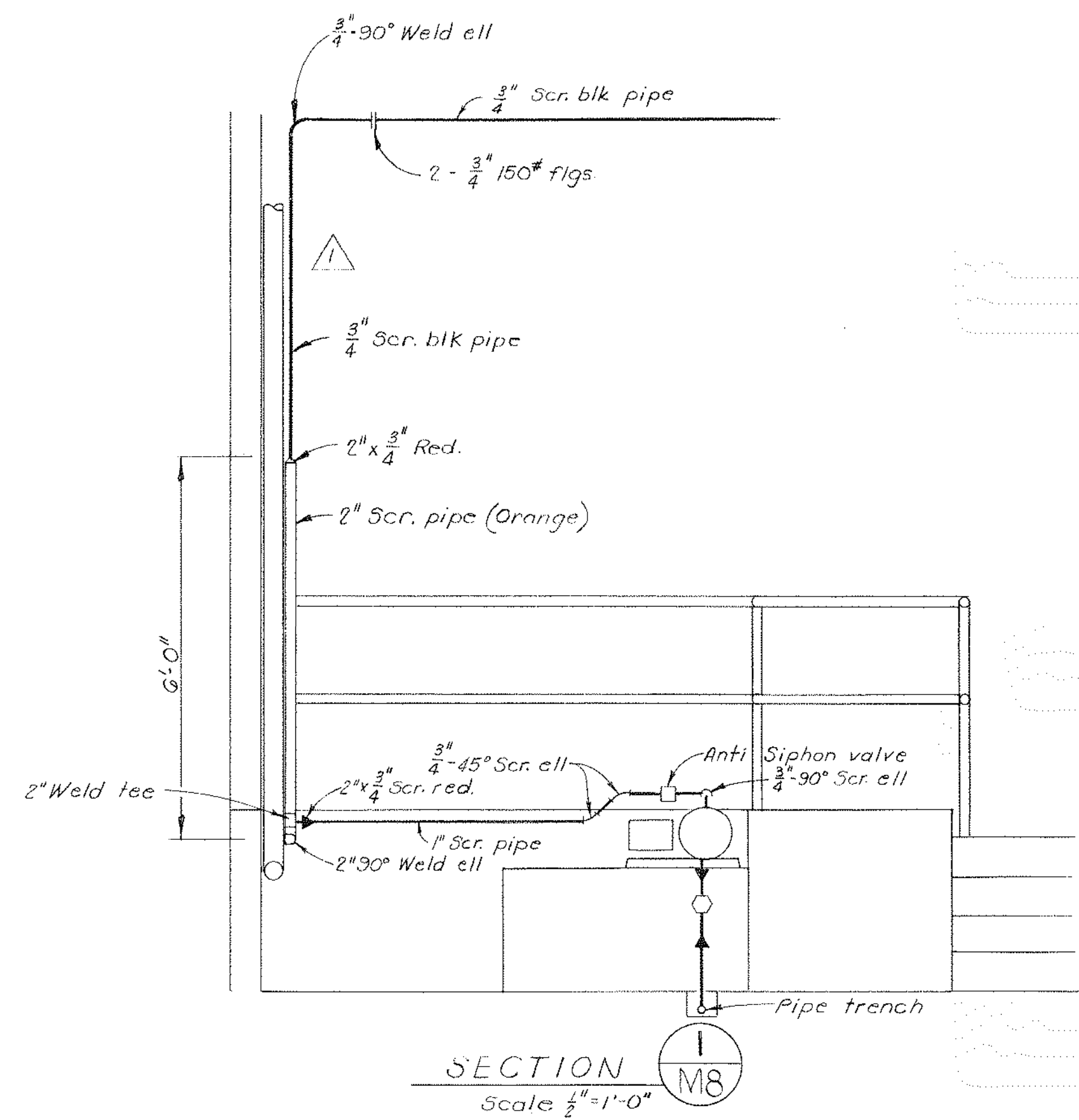
MARIN MUNICIPAL WATER DISTRICT
CORTE MADERA, CALIFORNIA

NORTH MARIN INTERTIE

IGNACIO PUMP STATION
WATER QUALITY
CONTROL PLANT
CHEMICAL PIPING

DRAWN DJE	SCALE As Noted	DATE Dec. 1975
JOB NO. 7086	DWG. NO. D13-5-7	SHEET 1 OF 1
CHECKED DJE	REVWD. ENG. EJA	CONST. OPR. JTF
 GENERAL MANAGER		FILED MAP NO.





Notes:

- All connections between PVC and any other piping material in the high pressure system shall be made using 150# flanges with stainless steel bolts and neoprene gasket.

As Installed	MR		4/77		
Revised Piping	DAC	BL	2/76		
No.	REVISIONS	DRAWN	CHECKED	APPROVED	DATE

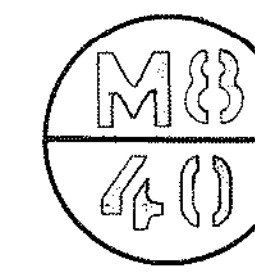
MARIN MUNICIPAL WATER DISTRICT
CORTE MADERA, CALIFORNIA

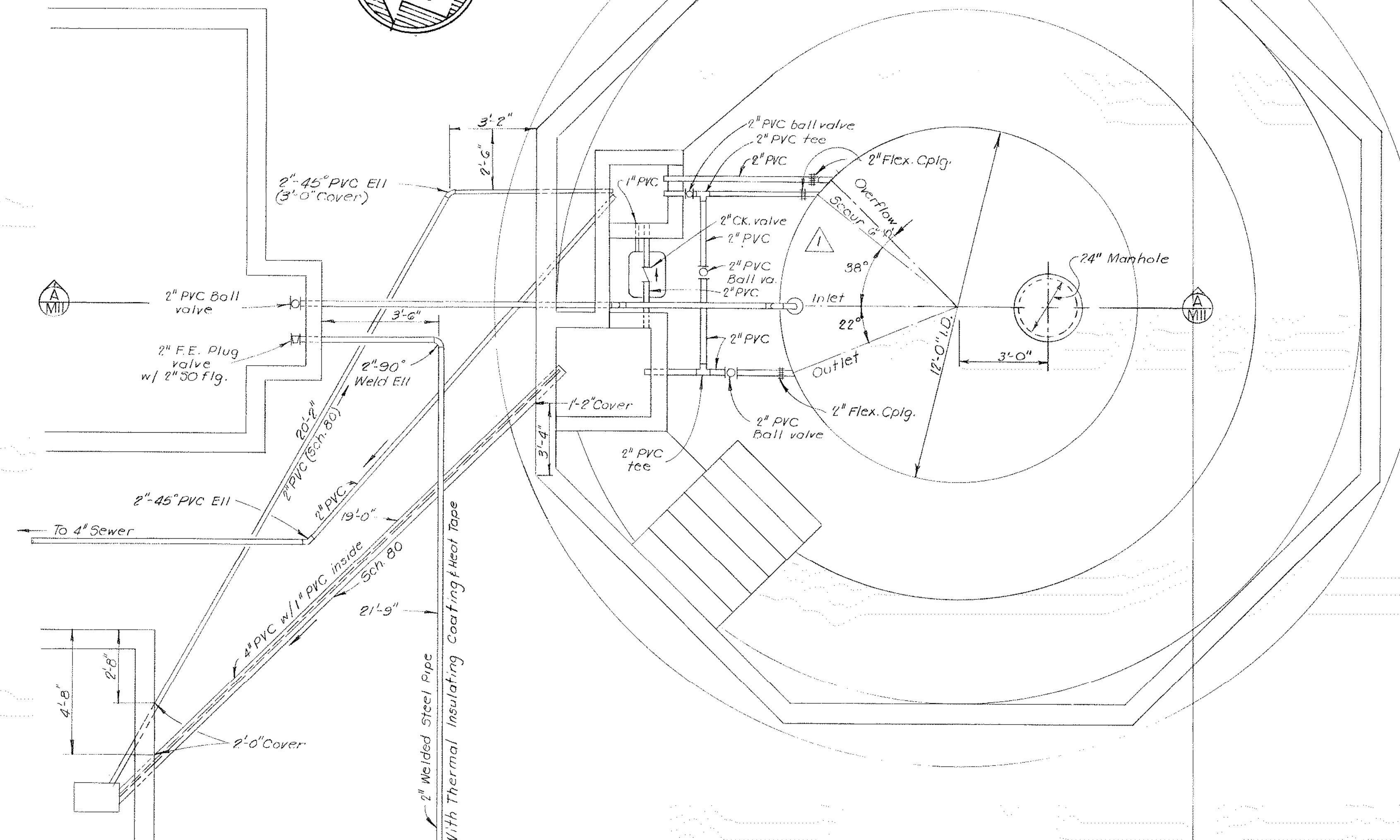
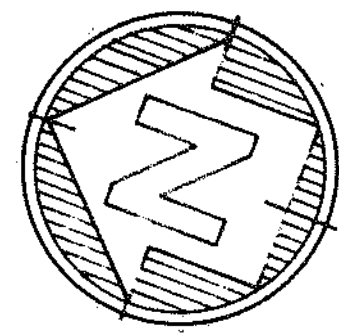
NORTH MARIN INTERTIE

IGNACIO PUMP STATION
WATER QUALITY
CONTROL PLANT

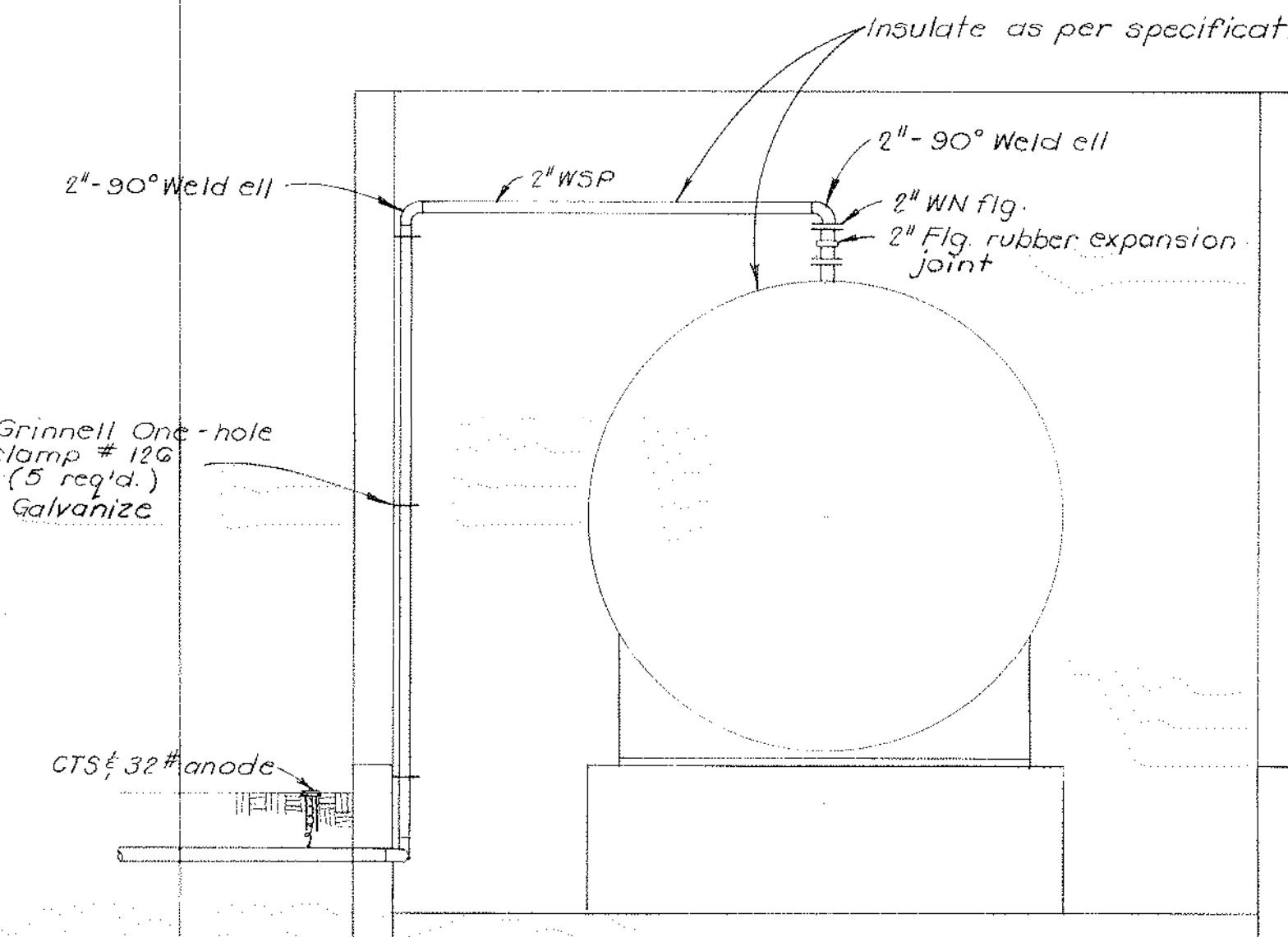
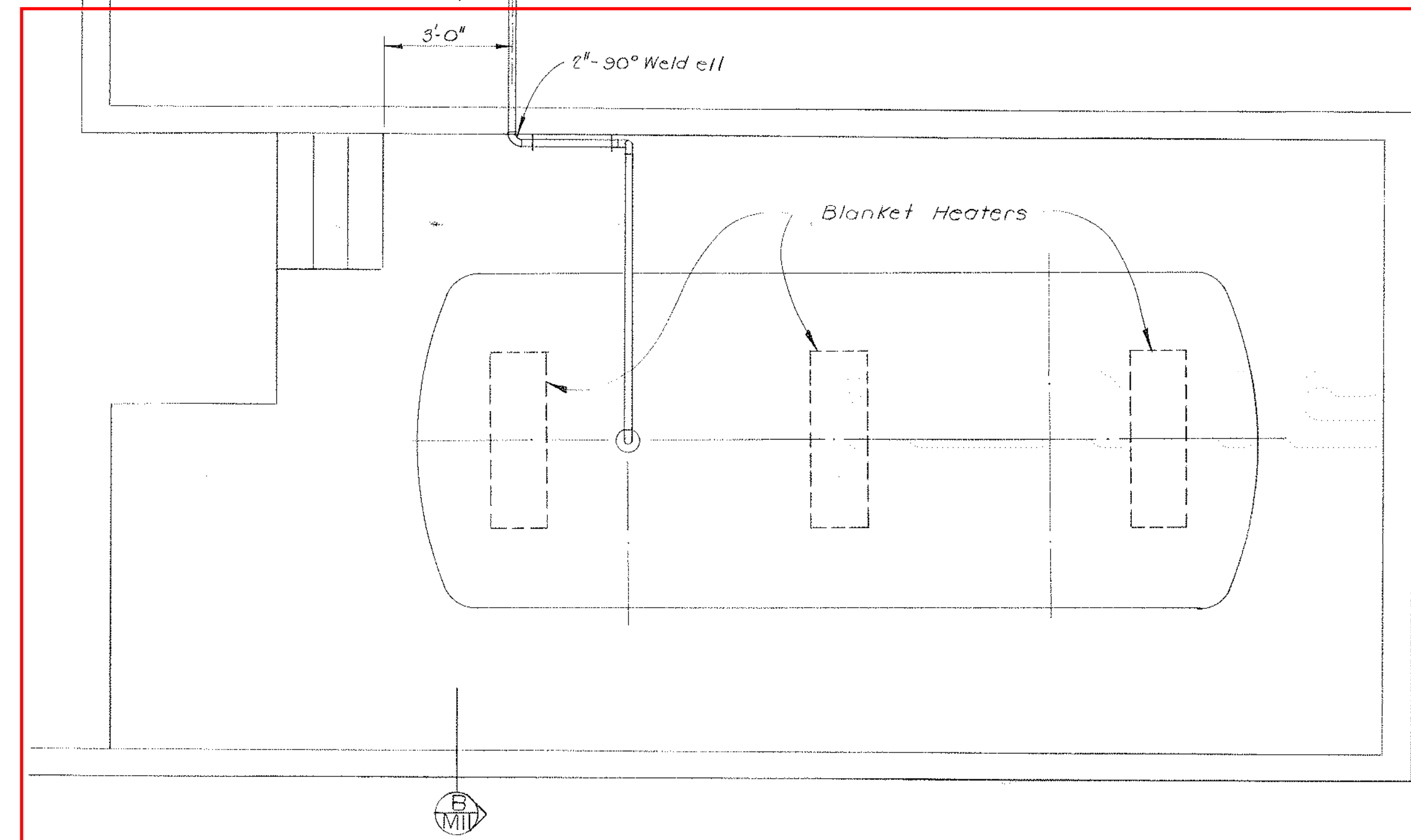
CHEMICAL PIPING DETAILS

DRAWN DuE	SCALE As Noted	DATE Dec. 1975
JOB NO. 705G	DWG. NO. D13-5-B	SHEET 1 OF 1
CHECKED DUE P/08	REVWD. ENG. J.H.	CONST. OPR. JTF
GENERAL MANAGER		FILED
		MAP NO.

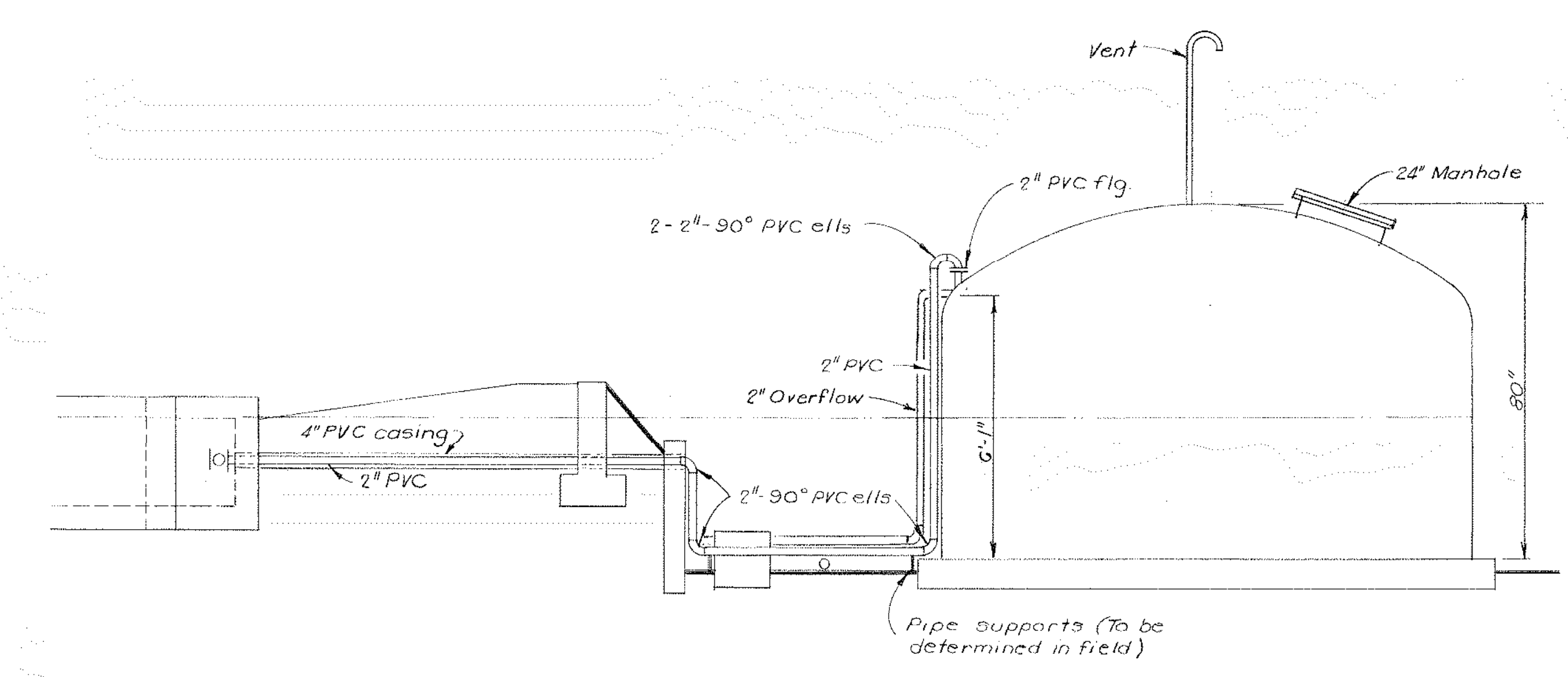




PLAN
Scale: $\frac{3}{8}'' = 1'-0''$

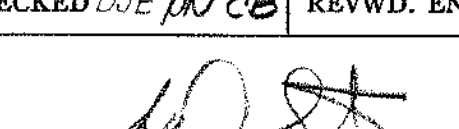


SECTION B
Scale: $\frac{3}{8}'' = 1'-0''$



SECTION A
Scale: $\frac{3}{8}'' = 1'-0''$

NOTE:
Field locate anchor bolts for Fiberglass tank supplied.

As Installed	MII			4/77	
Revise Piping	DAC			2/76	
No.	REVISIONS	DRAWN	CHECKED	APPROVED	DATE
MARIN MUNICIPAL WATER DISTRICT CORTE MADERA, CALIFORNIA					
NORTH MARIN INTERTIE					
IGNACIO PUMP STATION FLUOSILICIC ACID TANK ENCLOSURE PIPING PLAN & DETAILS					
DRAWN DAC	SCALE As Noted	DATE Nov. 1975			
JOB NO. 70BG	DWG. NO. D13-5-11	SHEET 1 OF 1			
CHECKED ONE (MCE)	REVWD. ENG. (JA)	CONST.	OPR. (JF)		
 GENERAL MANAGER					FILED MAP NO.

